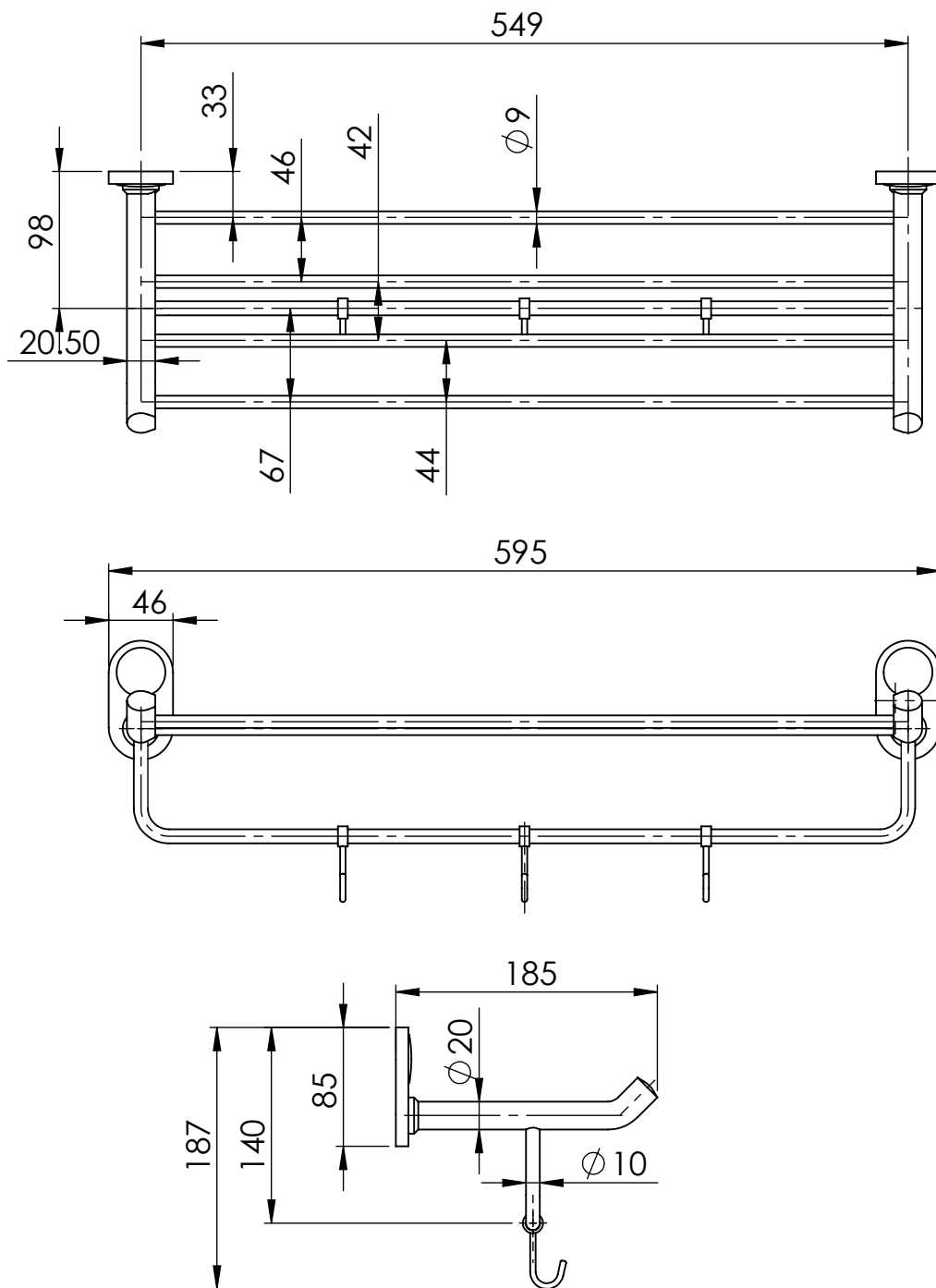



Tolerance If Not Specified

Not Machined		1<x=6	10<x=30	30<x=100	100<x=300	300<x=1000	1000<x=2000
Machined	Fine	±0.05	±0.1	±0.15	±0.2	±0.3	
Machined Smooth	Medium	±0.1	±0.2	±0.3	±0.5	±0.8	±1.2
Mirror	Coarse		±0.5	±0.8	±1.2	±2.0	±3.0



Rev. Date	Revision	Revision Description					
All projections are shown in series		 Asian Paints Limited 6A, Shantinagar Santacruz (East) Mumbai 400055					
All dimensions are in mm		Title Towel Bracket 61cm					
* Indicates critical feature							
Drawn		Type	Accessories	Range	Croma		
Checked		Material					
Approved		Drg No.	FCRACTWCPFL04				
Date		This Drawing & Design is Property Of APL. It is Confidential Document Must Not Be Copied Or Used in Any Manner to Their Interest.					
Weight							
Scale	2:1						