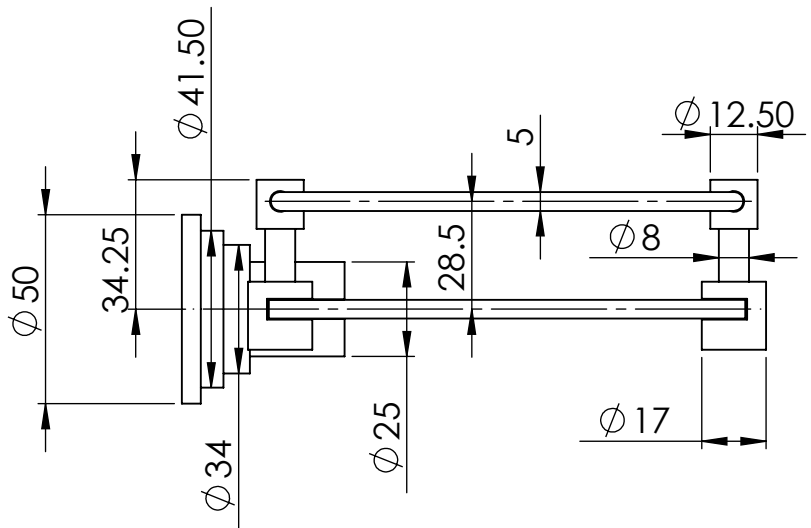
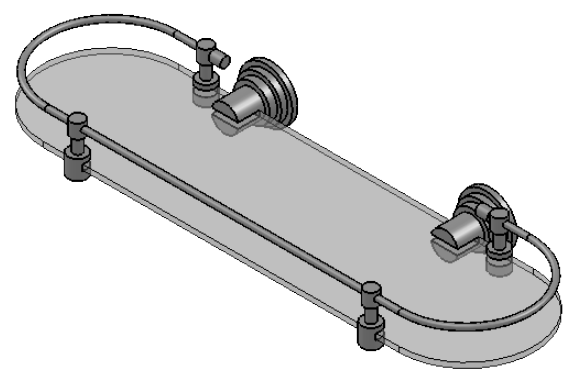
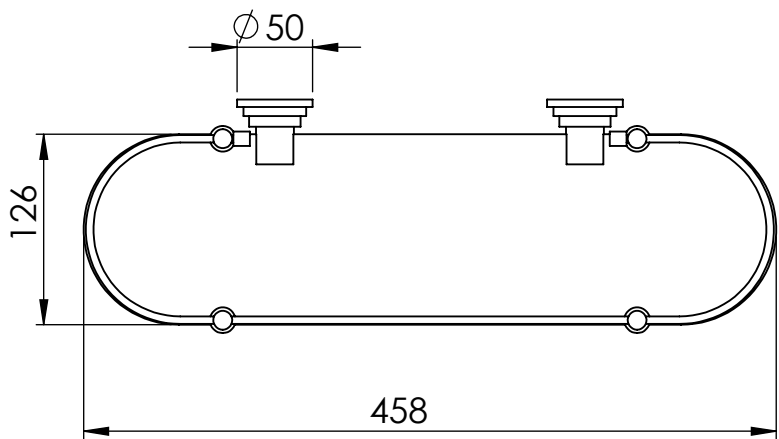



Tolerance If Not Specified

Not Machined		1<x=6	10<x=30	30<x=100	100<x=300	300<x=1000	1000<x=2000
Machined	Fine	±0.05	±0.1	±0.15	±0.2	±0.3	
Machined Smooth	Medium	±0.1	±0.2	±0.3	±0.5	±0.8	±1.2
Mirror	Coarse		±0.5	±0.8	±1.2	±2.0	±3.0



Rev. Date	Revision	Revision Description			
All projections are shown in series		 Asian Paints Limited 6A, Shantinagar Santacruz (East) Mumbai 400055			
All dimensions are in mm					
* Indicates critical feature		Acrylic Shelf (46cmsx13cms)			
Drawn	Munish				
Checked		Type	Accessories	Range	Tarim
Approved		Material			
Date	04.08.2016	Drg No.	FTMACSHCPFL01		
Weight		This Drawing & Design is Property Of APL. It is Confidential Document Must Not Be Copied Or Used in Any Manner to Their Interest.			
Scale	2:1				