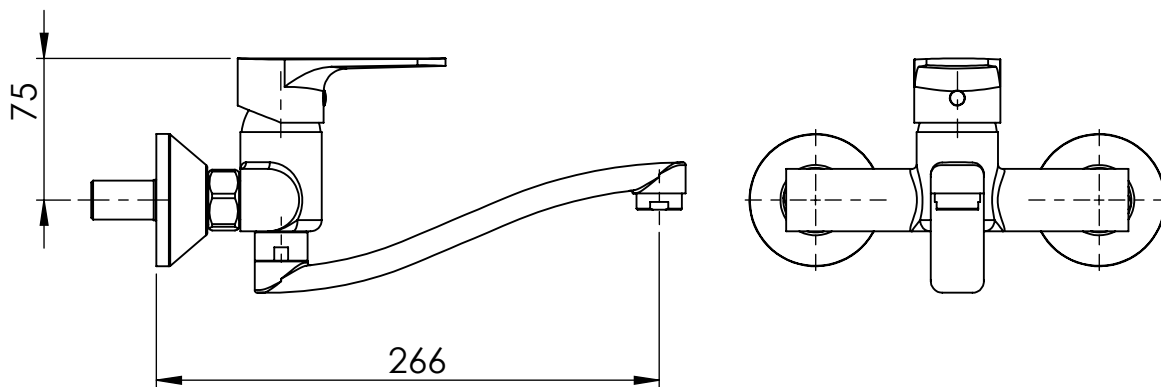
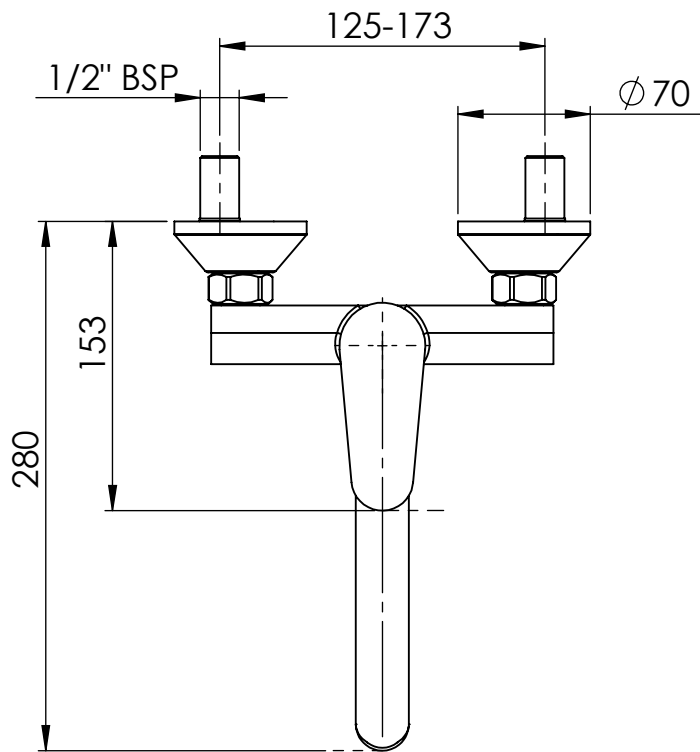



Tolerance If Not Specified

| | | | | | | | |
|-----------------|--------|-------|---------|----------|-----------|------------|-------------|
| Not Machined | | 1<x=6 | 10<x=30 | 30<x=100 | 100<x=300 | 300<x=1000 | 1000<x=2000 |
| Machined | Fine | ±0.05 | ±0.1 | ±0.15 | ±0.2 | ±0.3 | |
| Machined Smooth | Medium | ±0.1 | ±0.2 | ±0.3 | ±0.5 | ±0.8 | ±1.2 |
| Mirror | Coarse | | ±0.5 | ±0.8 | ±1.2 | ±2.0 | ±3.0 |

ALSM201



| | | | | | |
|--|------------|--|---------------|-------|--------|
| Rev. Date | Revision | Revision Description | | | |
| All projections are shown in series | |  Asian Paints Limited 6A, Shantinagar Santacruz (East) Mumbai 400055 | | | |
| All dimensions are in mm | | Title Single Lever Sink Mixer Wall Mounted Altius | | | |
| * Indicates critical feature | | | | | |
| Drawn | Mohinder | Type | Technical | Range | Altius |
| Checked | | Material | | | |
| Approved | | Drg No. | FALMSSKCPFL01 | | |
| Date | 29.08.2018 | This Drawing & Design is Property Of APL. It is Confidential Document Must Not Be Copied Or Used in Any Manner to Their Interest. | | | |
| Weight | | | | | |
| Scale | 1:10 | | | | |