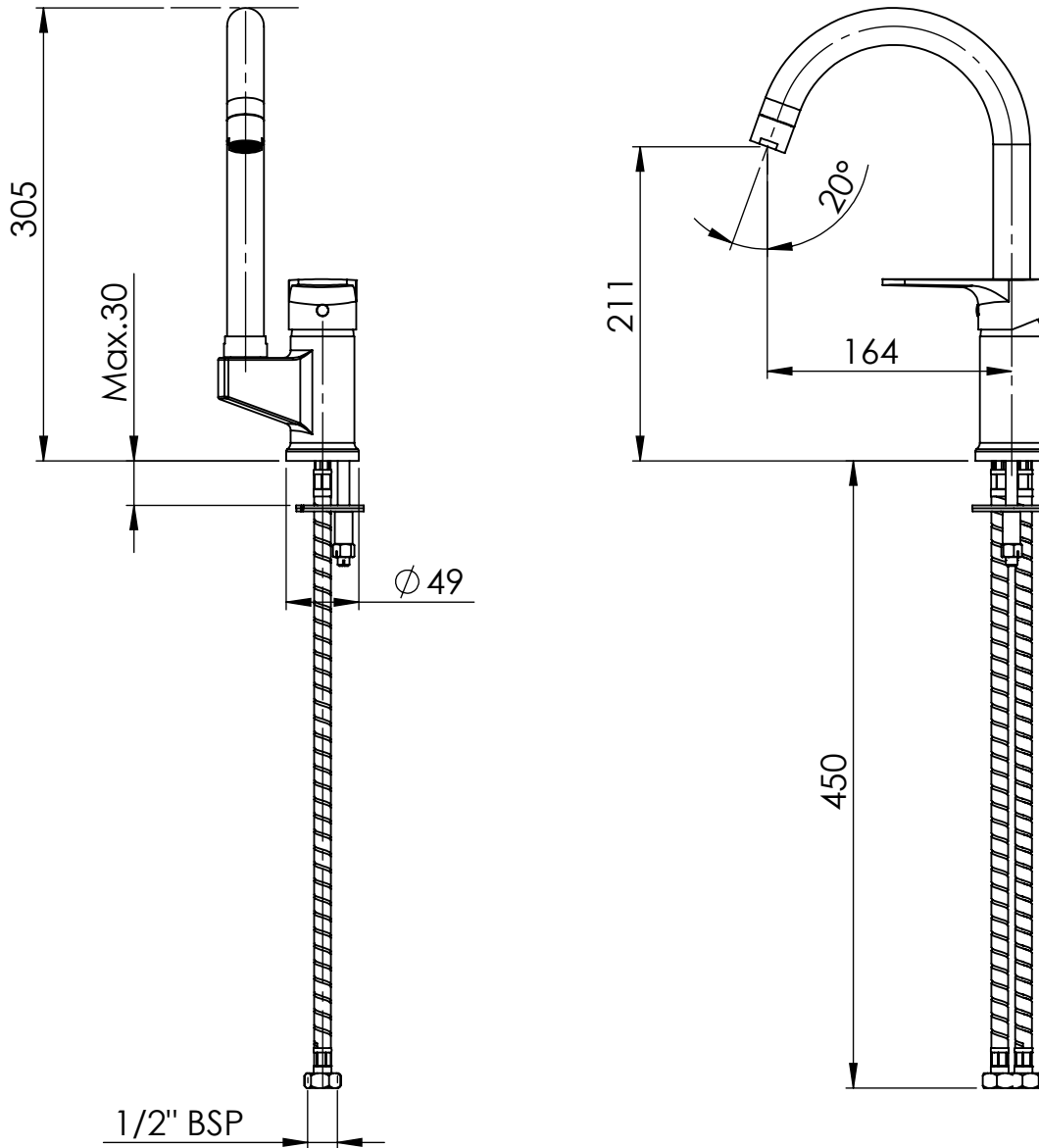



Tolerance If Not Specified

Not Machined		1<x=6	10<x=30	30<x=100	100<x=300	300<x=1000	1000<x=2000
Machined	Fine	±0.05	±0.1	±0.15	±0.2	±0.3	
Machined Smooth	Medium	±0.1	±0.2	±0.3	±0.5	±0.8	±1.2
Mirror	Coarse		±0.5	±0.8	±1.2	±2.0	±3.0

ALSM202



Rev. Date	Revision	Revision Description			
All projections are shown in series		 Asian Paints Limited 6A, Shantinagar Santacruz (East) Mumbai 400055			
All dimensions are in mm		Title Single Lever Sink Mixer Table Mounted Altius			
* Indicates critical feature					
Drawn	Mohinder	Type	Technical	Range	Altius
Checked		Material			
Approved		Drg No.	FALMSSKCPFL02		
Date	29.08.2018	This Drawing & Design is Property Of APL. It is Confidential Document Must Not Be Copied Or Used in Any Manner to Their Interest.			
Weight					
Scale	1:10				