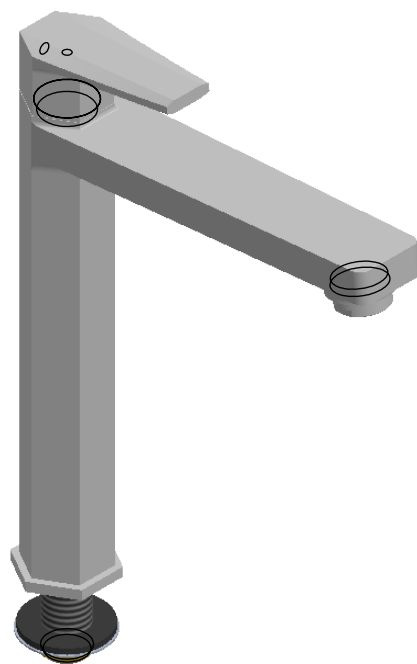
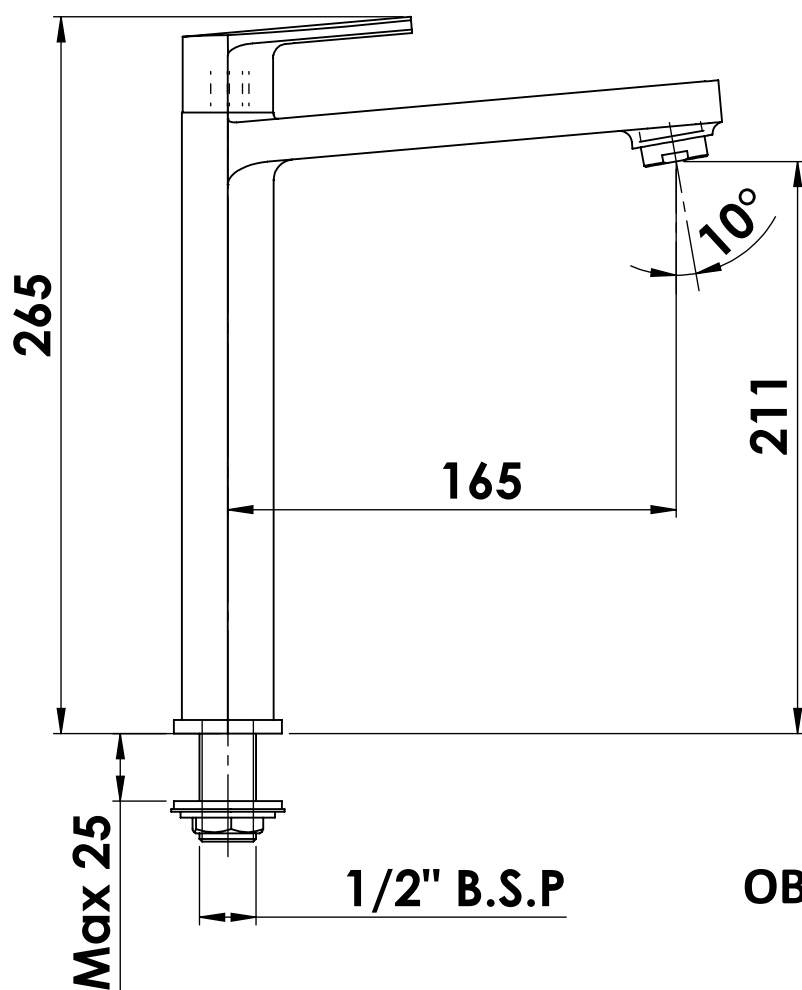
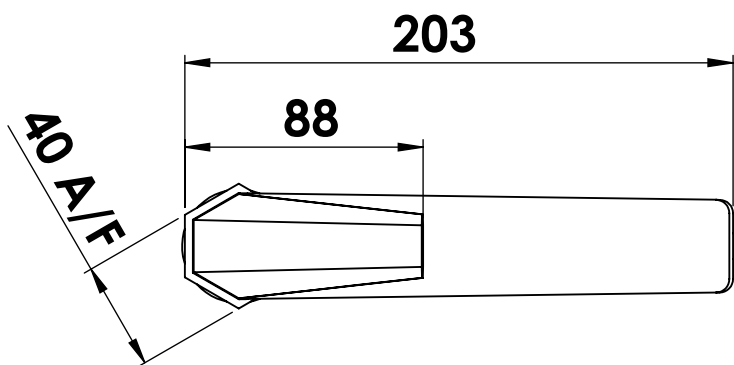



Tolerance If Not Specified

Not Machined		1<x=6	10<x=30	30<x=100	100<x=300	300<x=1000	1000<x=2000
Machined	Fine	±0.05	±0.1	±0.15	±0.2	±0.3	
Machined Smooth	Medium	±0.1	±0.2	±0.3	±0.5	±0.8	±1.2
Mirror	Coarse		±0.5	±0.8	±1.2	±2.0	±3.0



1/2" B.S.P

OBPC102

Rev. Date	Revision	Revision Description					
All projections are shown in series		 Asian Paints Limited 6A, Shantinagar Santacruz (East) Mumbai 400055					
All dimensions are in mm							
* Indicates critical feature		PILLAR COCK EXTENDED					
Drawn	Munish						
Checked		Title	Technical			Range	Obelisk
Approved		Material					
Date	27.12.2018	Drg No.	FOBSBPCCFL02				
Weight		This Drawing & Design is Property Of APL. It is Confidential Document Must Not Be Copied Or Used in Any Manner to Their Interest.					
Scale	1:5						